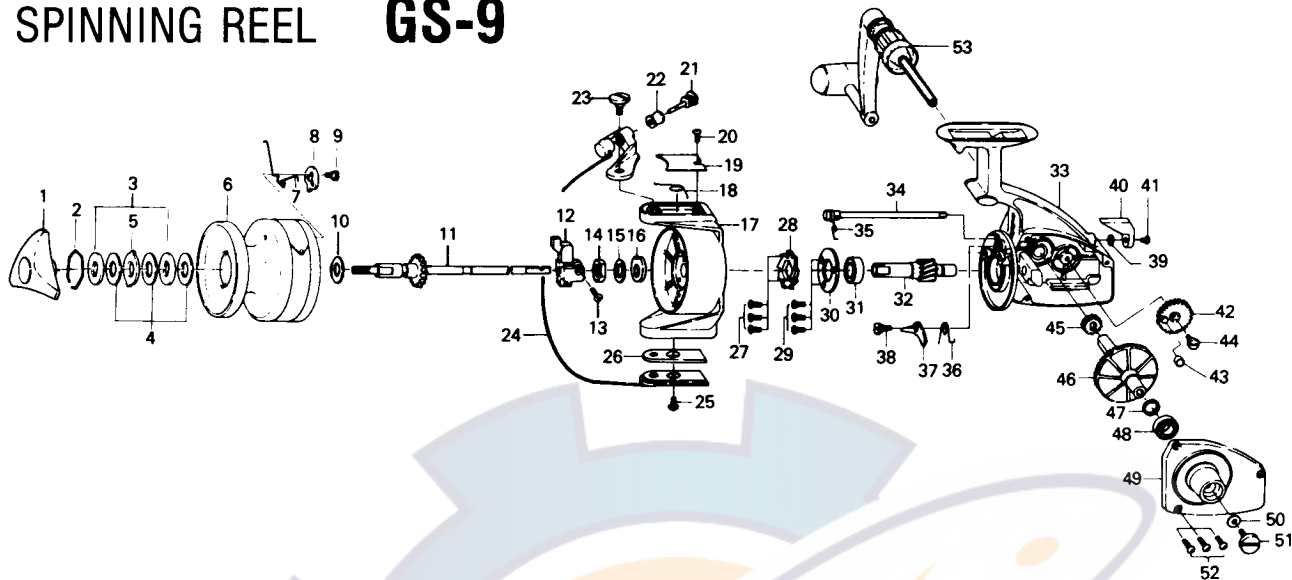


SPINNING REEL GS-9



LINE CAPACITY: 225 YDS., 30 LB. TEST (210m. 13.6kg)

Key No. 2 ~ 9

6-730-5710 Spool assembly

\$17.85

| Key No. | Parts No. | Parts Name | Price Per Piece | Key No. | Parts No. | Parts Name | Price Per Piece |
|---------|------------|--------------------------|-----------------|---------|------------|-------------------------------------|-----------------|
| 1 | 6-003-1801 | Drag knob | \$2.45 | 28 | 6-280-4001 | Ratchet | \$1.00 |
| 2 | 6-170-4101 | Drag washer retainer | .10 | 29 | 6-351-8901 | Ball bearing retaining washer screw | .10 |
| 3 | 6-372-3711 | Drag D washer | .40 | 30 | 6-633-1101 | Ball bearing retaining washer | .25 |
| 4 | 6-372-3003 | Disc washer | .20 | 31 | 6-635-5001 | Ball bearing | 4.25 |
| 5 | 6-372-3832 | Drag A washer | .20 | 32 | 6-401-1811 | Pinion gear | 3.40 |
| 6 | 6-730-5610 | Spool | N/A | 33 | 6-003-2430 | Body | 9.50 |
| 7 | 6-143-6411 | Spool click claw spring | .35 | 34 | 6-003-2131 | Anti-reverse cam | 1.10 |
| 8 | 6-030-4001 | Spool click claw | .15 | 35 | 6-142-3511 | Anti-reverse cam spring | .10 |
| 9 | 6-361-9801 | Spool click claw screw | .20 | 36 | 6-142-0301 | Anti-reverse claw spring | .15 |
| 10 | 6-372-9601 | Spool washer | .10 | 37 | 6-110-6011 | Anti-reverse claw | .40 |
| 11 | 6-003-1921 | Main shaft | 3.70 | 38 | 6-361-6901 | Anti-reverse claw screw | .35 |
| 12 | 6-480-5221 | Oscillating slider | .65 | 39 | 6-372-9911 | Anti-reverse lever washer | .10 |
| 13 | 6-351-9001 | Oscillating slider screw | .10 | 40 | 6-540-5801 | Anti-reverse lever | .40 |
| 14 | 6-340-8301 | Rotor nut | .20 | 41 | 6-351-1801 | Anti-reverse lever screw | .10 |
| 15 | 6-160-1712 | Rotor washer | .10 | 42 | 6-003-2501 | Oscillating gear | 1.50 |
| 16 | 6-372-9301 | Rotor retaining washer | .25 | 43 | 6-500-5501 | Oscillating collar | .10 |
| 17 | 6-200-8502 | Rotor | 4.50 | 44 | 6-361-7301 | Oscillating gear screw | .30 |
| 18 | 6-142-0201 | Bail spring | .15 | 45 | 6-401-1701 | Oscillating pinion | .75 |
| 19 | 6-633-1311 | Bail spring cover | .15 | 46 | 6-411-7211 | Drive gear | 2.70 |
| 20 | 6-351-6101 | Bail spring cover screw | .10 | 47 | 6-271-2820 | Drive gear washer | .10 |
| 21 | 6-780-9101 | Bail screw | .85 | 48 | 6-636-6001 | Ball bearing | 3.65 |
| 22 | 6-250-2111 | Line roller | .50 | 49 | 6-003-4216 | Body cover | 3.40 |
| 23 | 6-361-7011 | Arm lever screw | .80 | 50 | 6-372-3501 | Handle washer | .10 |
| 24 | 6-003-2001 | Bail | 2.25 | 51 | 6-361-2211 | Handle screw | .65 |
| 25 | 6-351-6101 | Bail holder screw | .10 | 52 | 6-351-8801 | Body cover screw | .10 |
| 26 | 6-210-2901 | Balancer | .40 | 53 | 6-745-6812 | Handle | 7.65 |
| 27 | 6-351-8901 | Ratchet screw | .10 | | | | |